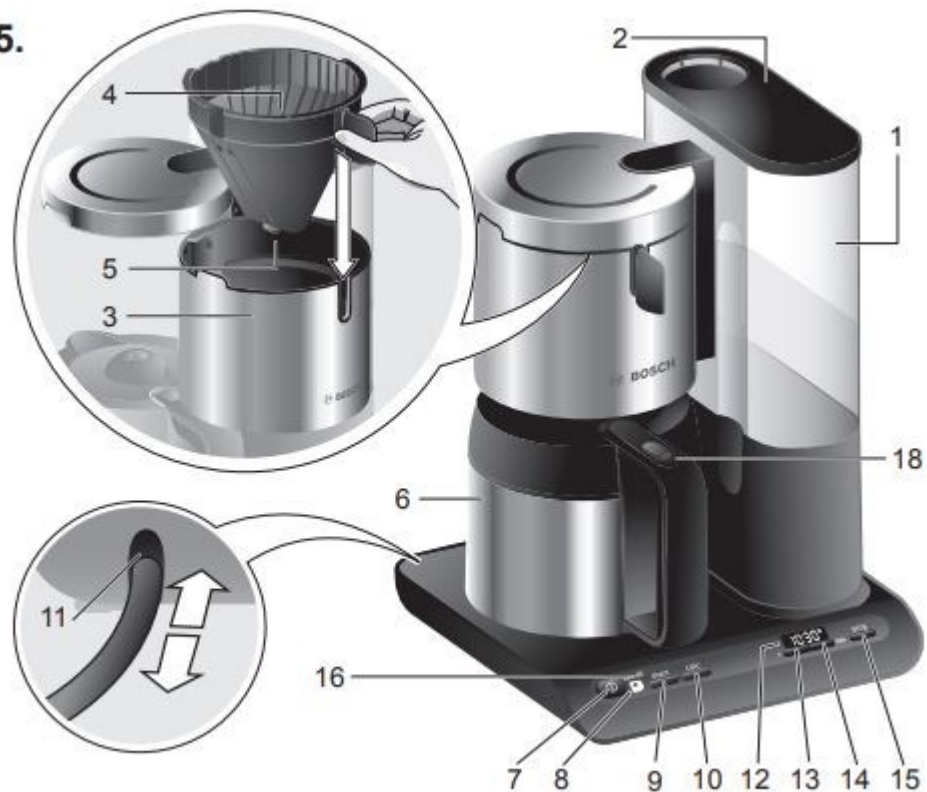
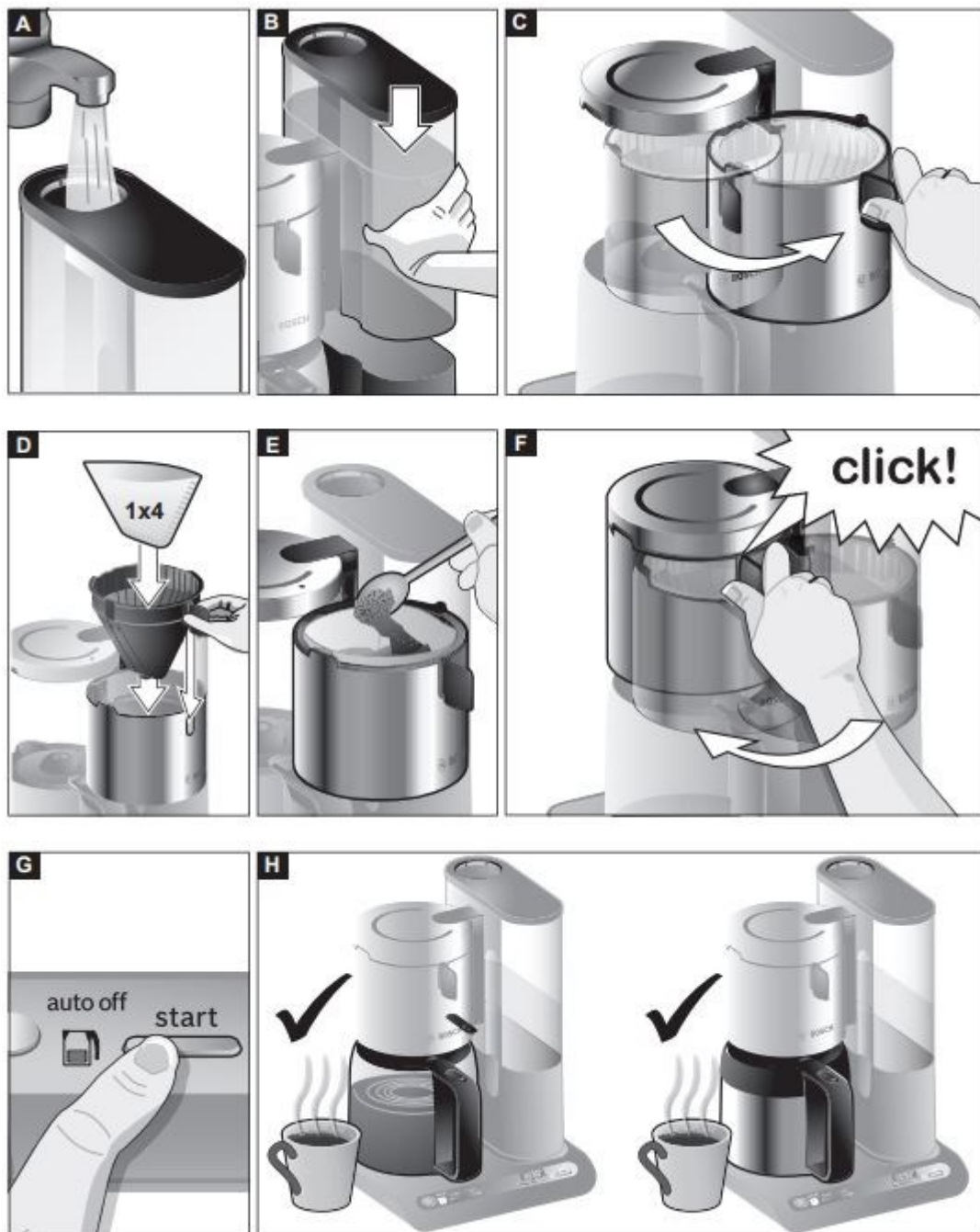


# OPERATING INSTRUCTIONS COFFEE MACHINE

**TKA865.**



- 1 Water tank with fill level indicator (removable)
- 2 Water tank cover (removable)
- 3 Filter housing (swivelling)
- 4 Filter holder (dishwasher-safe)
- 5 Drip stop
- 6 Thermos carafe with lid
- 7 Button ON/OFF
- 8 Low water indicator
- 9 **start** button
- 10 Descale button with indicator **calc**
- 11 Cable storage compartment
- 12 Clock
- 13 Programming button **h**
- 14 Programming button **min**
- 15 **prog** button
- 16 Display (automatic switch-off) **auto off**
- 18 Release switch (on carafe handle)



## BREWING COFFEE

- A+B** Remove the water tank 1, fill it with water and replace it.
- C** Flip out the filter housing 3.
- D+E** Insert a 1x4 paper filter in the filter holder 4 and add the desired amount of coffee.
- F** Flip back the filter housing 3 until it engages. Place the carafe 6 with the lid closed under the filter housing 3.
- G** Press button 9 start to begin the brewing process.

If you rinse out the thermos carafe with hot water before use, the coffee will stay warm even longer.  
**Important:** When the brewing process is complete, wait a moment until all the coffee has run through the filter and into the carafe.

**Let the machine cool down for five minutes before brewing a fresh pot.**

## GENERAL INFORMATION

Only fill cold water in the water tank.

Never fill the water tank with more water than the mark "8 cups".

The minimum quantity of 3 cups should not be undercut, the coffee then does not have the desired temperature and strength. Thermoskanne nur mit geschlossenem Deckel in das Gerät stellen.

During the brewing process, the thermos flask must not be taken out as the filter holder may overflow.

Attention! After use, the surface of the hot plate may still be hot for some time.